

ROTARY PADDLE LEVEL SWITCH



PULSE[®]Electronic

The industry's firm, an expert in the field of industrial electronics, is bringing this power to the rest of the globe by making a difference with its innovative structure, R&D power, and experience.

PULS Electronic Systems laid in 2002 the foundations of its success story in the field of industry with the motto "We know the Load on you, because we can measure it". Our company based in Turkey, presents to the service of its customers the electronical and electromechanical products required in the machine industry and manufactured by our firm from an innovative perspective and with continuously developing knowledge accumulation.

Puls has gained a well established place in the world market since 2002 with a product range developed as a result of the continuous investment in R&D Studies. In addition to the firsts developed in the weighing industry (Crane Scale, Checkweigher with 100 mg accuracy), it has become the pioneer of the innovations such as 20-120kV Static Charger, Web-Cleaner.

Starting out the production life with several model load cells and weighing indicators, Puls Elektronik has adopted continuous development as the principle with over 200 product types currently held in 3 main activity fields (Weighing Systems, Static solutions, Silo Equipments) and takes pride in exporting to 86 countries having dealership structure in more than 28 countries. Puls Electronic Systems is at your service in 7 continents with its distinctive products that is continuously developed through its innovative and customer-oriented structure, R&D power, the experience it has gained and knowledge accumulated.

Rotary paddle level switches have been utilized for point level detection for any kind of bulk material inside a silo, bunker or machine working for its production.

WORKING PRINCIPLE

Shaft rotates freely while there is no material (powder or granule) around paddle. When the material reaches to the paddle the point level is detected.

USED APPLICATIONS

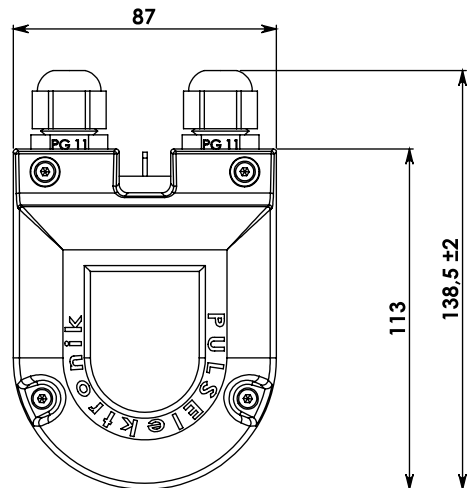
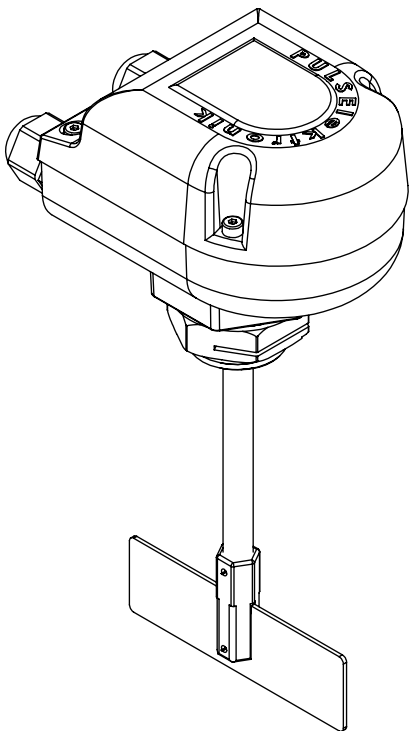
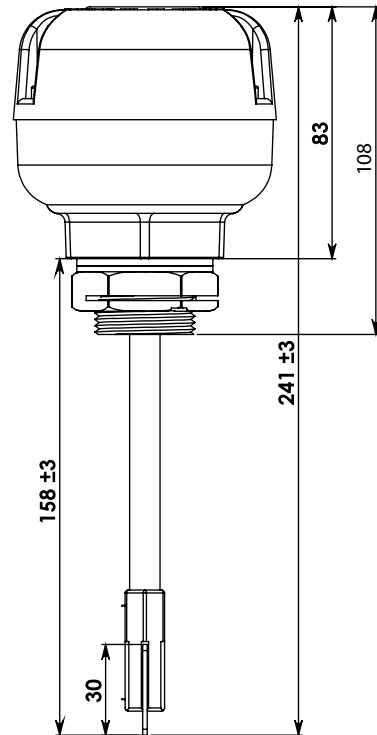
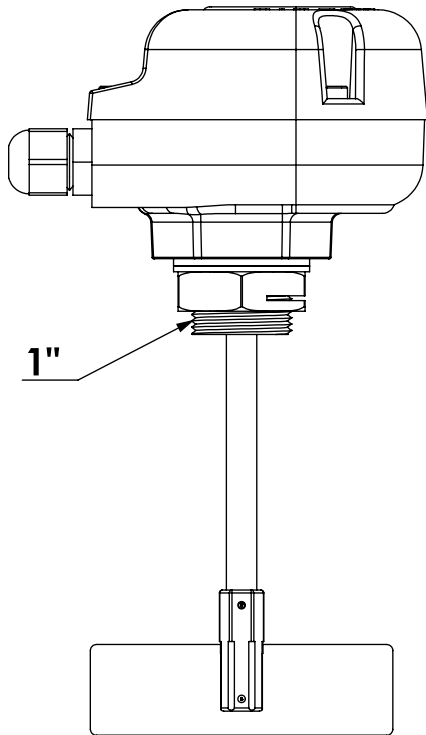
Used for the determination of lower (minimum) and upper (maximum) levels inside silo, tank, bunker and solid (powder or granular). As per the physical properties of the powder or granular material, paddle length and type may show variation such as flat type or blade type paddles.

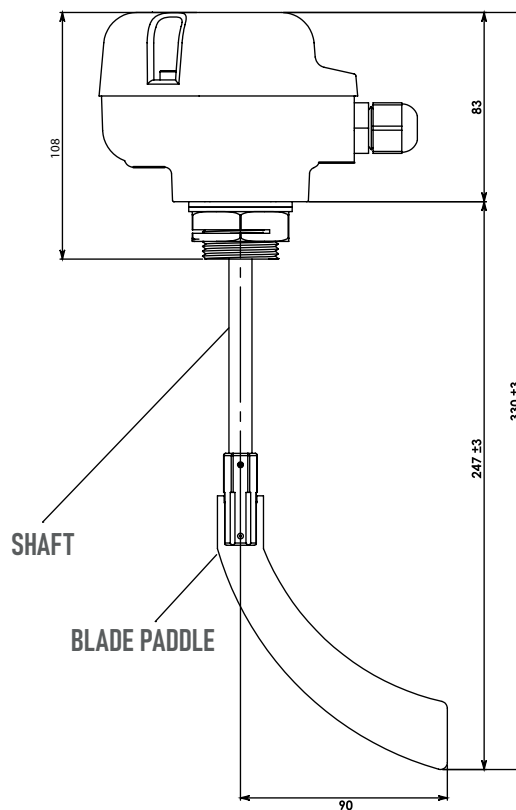
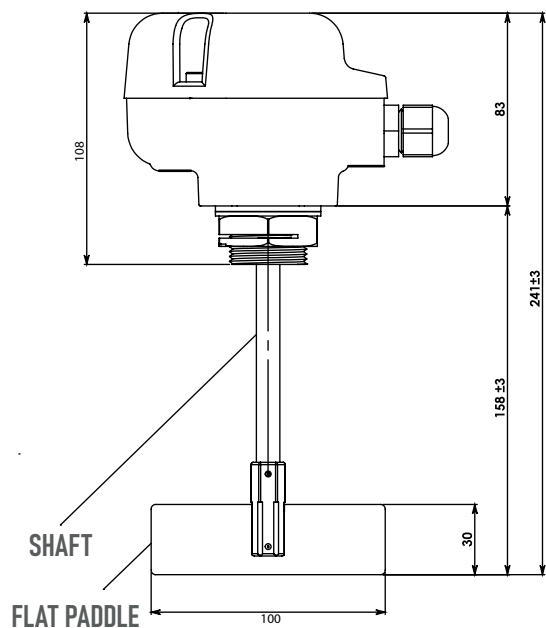
BENEFITS

- Easy to install
- Cost-effective
- Reliable level measurement of bulk solids
- Different measuring paddle types, suitable for all densities

USAGE AREA

Mines, Plaster, Cereals, Cement, Dolomite, Plastic Granül, Calcit, Felspat, Wheat, Sand, Lime





Shaft Length (L = mm)		Paddle Type		Assembly Type		Supply Voltage	
MIN.	50	BLADE	P	R1" THREAD	1	220 V AC	A
	250	FLAT	D	FLANGE	2	24 V DC	C
	500						
MAX.	750						

Mechanical Data:

- Enclosure:IP65
- Process connection : **Thread G1 , G1 ½" , G2 ½"**
- Material process connection : **Aluminium and plastic**
- Material shaft and measuring : **Stainless steel**
- Friction clutch It rotates by itself when excessive force, not damaged
- Pickup delay : **Approx. 1,3 sec.**
- Sensitivity : Adjustable via reset force of spring in three positions
- Speed of measuring vane : **1 r.p.m**

Electrical Data:

- Mains voltage 24Vdc or 230Vac 50Hz
- Installed load 3.5VA(3.5W)
- Signal output for 24Vdc model : Relay (max 2A 250Vac)
- Signal output for 230Vac model : Floating micro-switch(max 2A 250Vac)

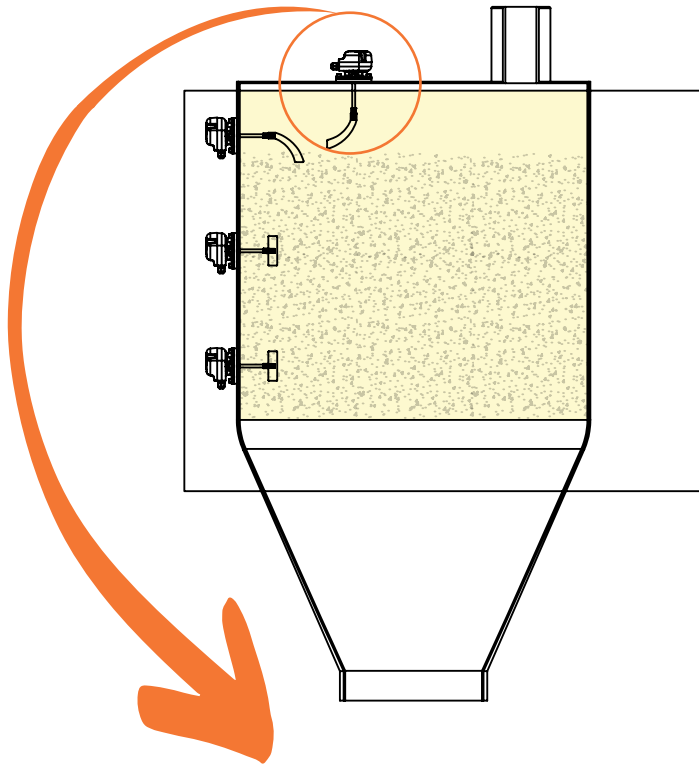
Operating Conditions

- Ambient temperature inside the casing -10°C ~ 40°C



ASSEMBLY FORMS

PULS.COM.TR



Cement



Lime



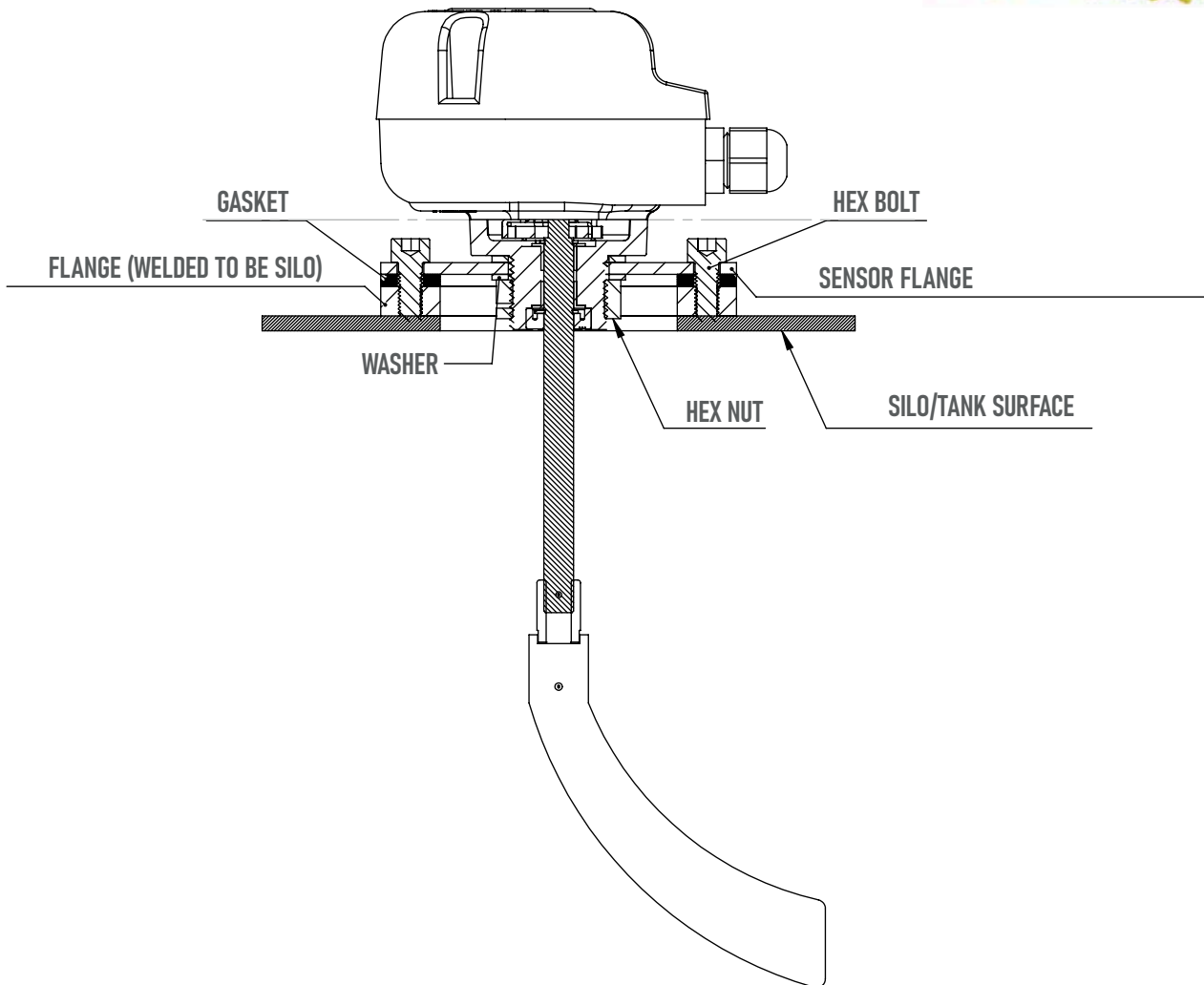
Gypsum



Food



Construction Chemistry



***All rights reserved to PULS ELEKTRONIK SISTEMLERI MAK.SAN.TIC.A.S. and could not be copied. Our Company reserves the right to make modifications to dimensions, specifications and desing without notice.



PULSE[®]Electronic

WEIGHING TECHNOLOGIES / STATIC SOLUTIONS / SILO EQUIPMENTS



Ömerli Mahallesi Seciye Sokak No:8 Hadımköy / Arnavutköy
ISTANBUL-TURKEY
Phone : +90 212 798 36 36 PBX
E-mail : info@puls.com.tr

PULS.COM.TR

